

Hammer Crusher

The hammer crusher crushes the feed by the impact of hammers which are fitted to a rotor shaft. The hammers are bars or strips of plates. Having a high crushing ratio, this crusher is capable of crushing lumps whose size is tens of millimeters to several millimeters into a product 1 mm or less in diameter.



Model	Rotor blade diameter x width mm	Motor kW	Model	Rotor blade diameter x width mm	Motor output kW
HA-189	460X230	5.5~7.5	HA-4248	1050X1200	110~160
HA-2412	600X300	11~15	HA-4860	1200X1500	200~280
HA-3024	750X600	30~37	HA-5472	1350X1800	375~530
HA-3636	900X900	75~95	HA-6084	1500X2100	475~630

Otsuka-Stedman Grand Slam

This is an impact crusher having a large crushing ratio, manufactured under the license granted by Stedman Machine Company of U.S.A. The rotor is fitted with the optimum number of hammers based on the size of feed and the purpose of crushing so that the feed can be crushed most effectively. The hammers and impact plates can be removed and refitted easily.

The housing that is opened hydraulically facilitates inspection and maintenance of the crusher. This machine combines the functions of a crusher and a pulverizer.



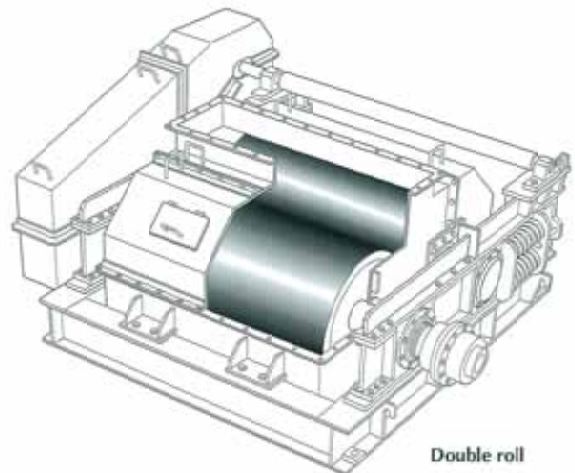
Model	Rotor diameter mm	Rotor width mm	Standard crushing capacity t/h	Rotor speed rpm	Motor kW
ID-4230	1050	750	60~90	400~600	55~75
ID-4260	1050	1500	120~150	400~600	90~110
ID-4830	1200	750	75~120	350~500	130~150
ID-4860	1200	1500	160~220	350~500	190~220
ID-5460	1350	1500	200~270	300~450	220~260

Roll Crusher

There are two types of roll crushers—the double-roll type and the single-roll type. The roll crusher is suitable to crush coal, coke, and wet cohesive materials.



Single roll interior



Double roll

Model	Roll diameter x width mm	Max. feed size mm	Crushing capacity t/h						Motor kW	Roll speed rpm
			Product size mm							
			25	30	40	50	65	80		
SL-1818	450X450	150	11	14	18	23			7.5~15	110
SL-2424	600X600	250		23	30	37			11~22	90
SL-3030	750X750	350			42	53	69		15~30	75
SL-3036	750X900	350			50	64	83		15~37	77
SL-3636	900X900	450				67	87	107	22~45	77
SL-3642	900X1050	450				78	99	129	22~45	60

Model	Roll diameter x width mm	Crushing capacity t/h (setting) mm				Roll speed rpm	Motor kW	Max. feed size mm
		6	12	25	50			
DL-1420	350X500	20	30	48	—	220	5.5~7.5	150
DL-2430	600X750	40	64	94	190	140	11~23	250
DL-3042	750X1050	62	100	168	330	115	22~77	300
DL-3660	900X1500	84	160	252	490	100	??~75	400
DL-4260	1050X1500	—	186	300	556	90	37~96	500
DL-4872	1200X1800	—	—	390	728	80	55~110	600